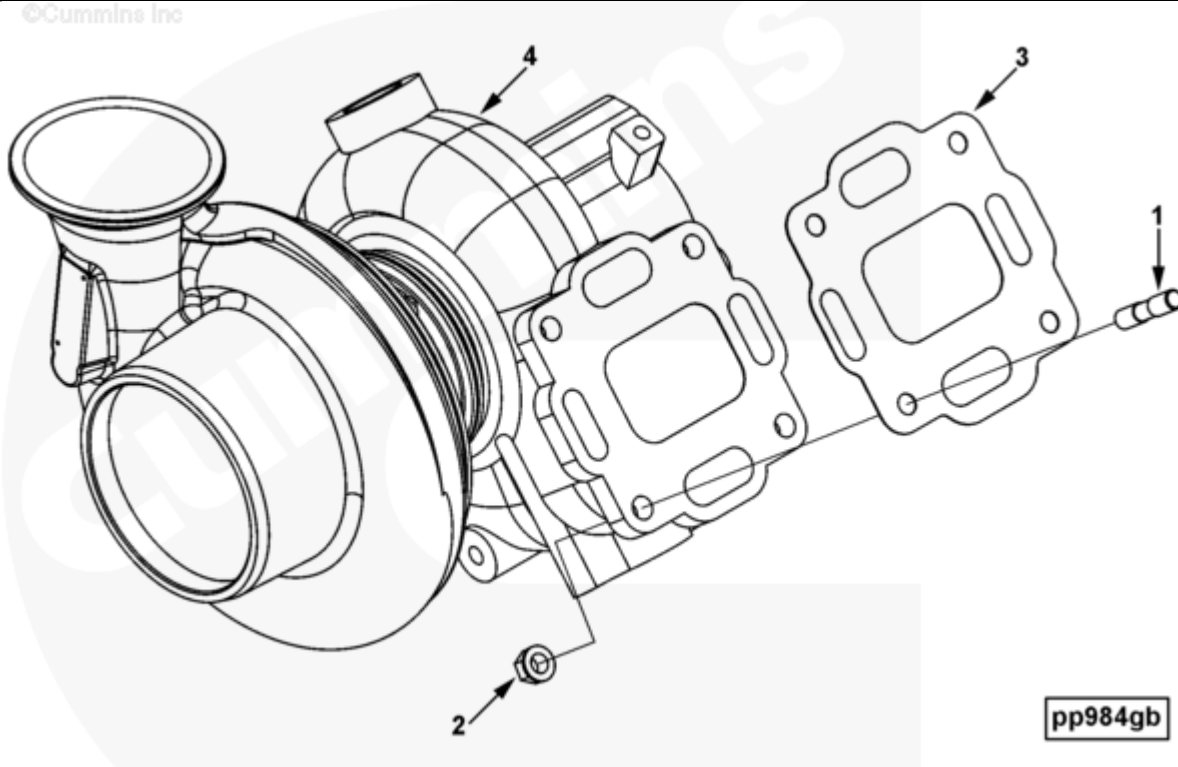




Parts Catalog - Option Detail

Electronic Parts Catalog - Option Detail				
Option	Group	Graphic	Film Card	Date
PP99014-01	10.05	pp984gb	Z	16-MAR-07
Engines	6C8.3, C GAS PLUS CM556, G8.3, G8.3 CM558, GTA8.3 CM558, ISC CM2150, ISC CM554, ISC CM850, ISC8.3 CM2250, ISC8.3 G CM2180 C101, ISL CM2150, ISL CM554, ISL CM850, ISL G CM2180, ISL8.9 CM2150 L110, ISL8.9 CM2880 L112, ISL9 CM2150 SN, ISL9 CM2250, ISL9 CM2350 L101, ISL9 CM2350 L111, ISLE4 CM850, L GAS PLUS CM556, L8.9, L8.9 L121, L8.9G CMOH2.0 L125B, L9 CM2350 L116B, L9 CM2350 L119B, L9 CM2350 L120C, L9 CM2350 L123B, L9.3 L105, L9.5 L117, L9N CM2380 L124B, QSC8.3 CM2250, QSC8.3 CM2880 C102, QSC8.3 CM554, QSC8.3 CM850(CM2850), QSL9 CM2250, QSL9 CM2250 L115, QSL9 CM2350 L102, QSL9 CM2350 L107, QSL9 CM2350 L118, QSL9 CM2350 L122, QSL9 CM554, QSL9 CM850(CM2850), QSL9 G CM558, QSL9 M CM2250 L106, QSL9.3 CM2880 L113			



[SMALL](#) | [MEDIUM](#) | [LARGE](#)

Cart	Ref No	Part Number	Part Description	Required	Remarks
View My Cart					
		PP99014-01	Turbocharger		Turbocharger...(More)
					Engine Family: C Series
					Engine Cylinders: 6
					Turbo Location: RMSO
					Turbo Outlet Flange Location:

					X (mm): -250.2
					Y (mm): 496.6
					Z (mm): -1022.4
					Exhaust Outlet Flange Type:
					4 Bolt
					Turbo Type: Wastegate
					Turbo Wheel Material:
					Aluminum
					Turbo Model: HX55WM
					CPR Outlet Flange Type: Half
					Marmon
					CPR Outlet on Engine Location
					(deg): 90 Deg Down from
					Horizontal
					Turbo Mounting Flange:
					Water Cooled
					Base Turbo ID 17 P/N:
					4043577
					Wastegate Pressure Setting
					(BAR): 2.5
					SPIG Orientation (deg): 270
					Wastegate Bracket
					Orientation: Low
<input type="checkbox"/>	1	3095798	Double End Plain Stud	4	
<input type="checkbox"/>	2	3818824	Hexagon Flange Nut	4	M10 X 1.50.
<input type="checkbox"/>	3	3921926	Turbocharger Gasket	1	
		4043580	Turbocharger	1	
	4	4043577	Turbocharger	1	Sold In Higher Level Assy/Kit

